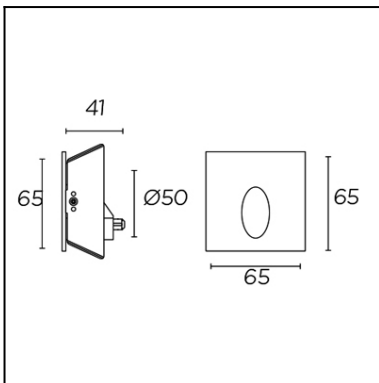
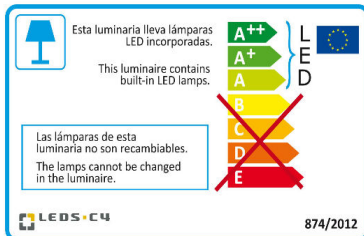


The photograph may not match the reference exactly. Please read the product description to identify the finish.



[Download photometric file .ldt / .ies](#)



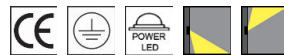
[Click on image to download energy label](#)

### Description

Recessed LED wall lights produced in machined aluminium. Includes a direct mains supply LED module (110V and 220V versions) with warm white colour temperature. Available in two finishes in (white or grey) and in different shapes (square or round). Accessory for installation in masonry walls included.

### TECHNICAL CHARACTERISTICS

Type:	SIGNAL
IP Protection degrees:	IP20
Light source 1:	1 x LED Samsung 2W Warm White - 3000K 158 lm <sup>(R)</sup>
Total power consumption (W):	2,7
Voltage / Frequency:	220-240V/50-60Hz
Warranty (Years):	2
Option to extend the guarantee (Years):	5
Units per box:	10
Net Weight (Kg):	0.2
EAN:	8435381401108



### MATERIALS / FINISHES

**Structure material:** Aluminium

**Structure finish:** White

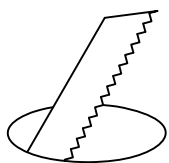
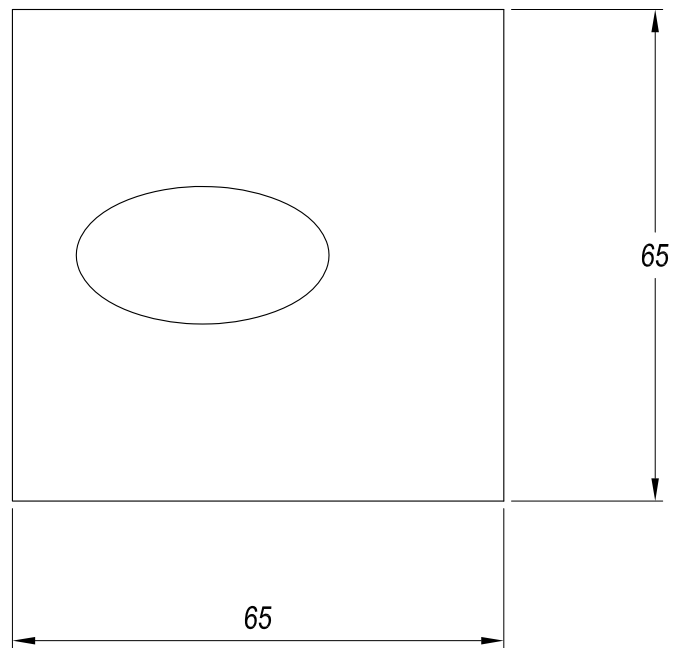
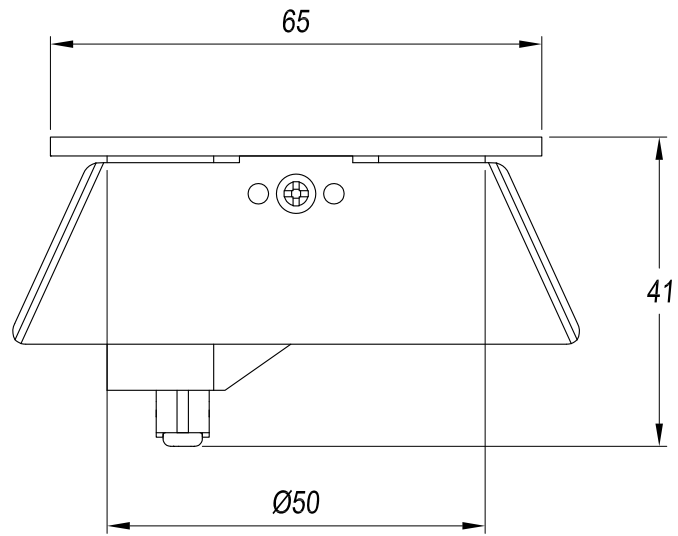
### GEAR

Gear included: Yes, electronic

Lm<sup>(R)</sup>: Actual flow of light when taking into account the efficiency of the optics and/or diffuser.

LEDS-C4 reserves the right to make the necessary technical changes they deem adequate, in order to improve the features of the product.

Please consult the sales team to clarify any doubt.



Ø57 mm

Scale 1:1

22-11-12

REF.	LAMP	VOLTAGE
55-1573-14-00	LED 3000K	220V
55-1573-N3-00	LED 3000K	220V
55-1574-14-00	LED 3000K	220V
55-1574-N3-00	LED 3000K	220V
55-1699-14-00	LED 3000K	110V
55-1699-N3-00	LED 3000K	110V
55-1701-14-00	LED 3000K	110V
55-1701-N3-00	LED 3000K	110V

NO DRIVER

220V

110V

NO DRIVER

